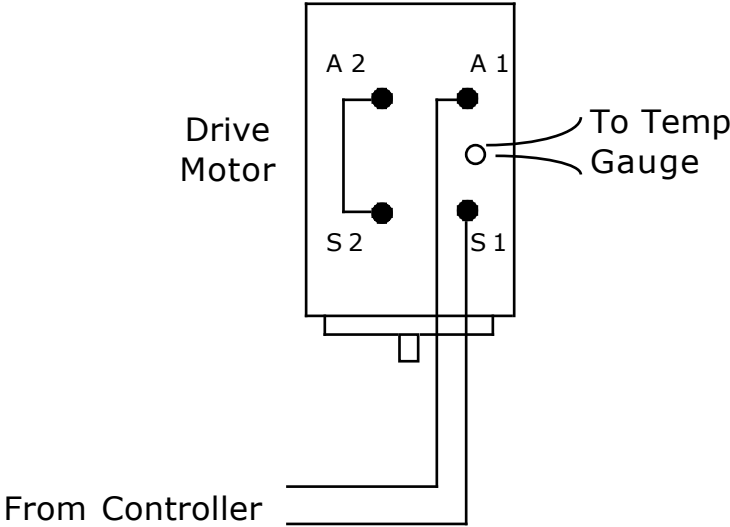


WIRING FOR ADVANCED DC MOTORS

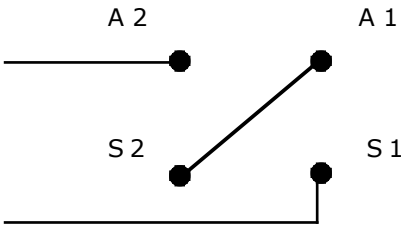
CCW ROTATION

View of Motor Hook-up



CW ROTATION (e.g. Honda)

Phase angle of brushplate needs to be shifted for continuous use and optimum efficiency, or be ordered from factory.



Please contact EVM for any further information/support.