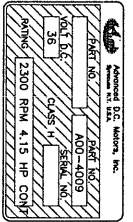
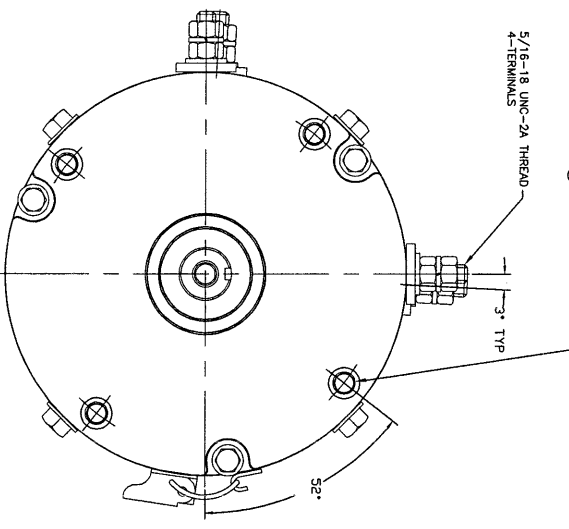
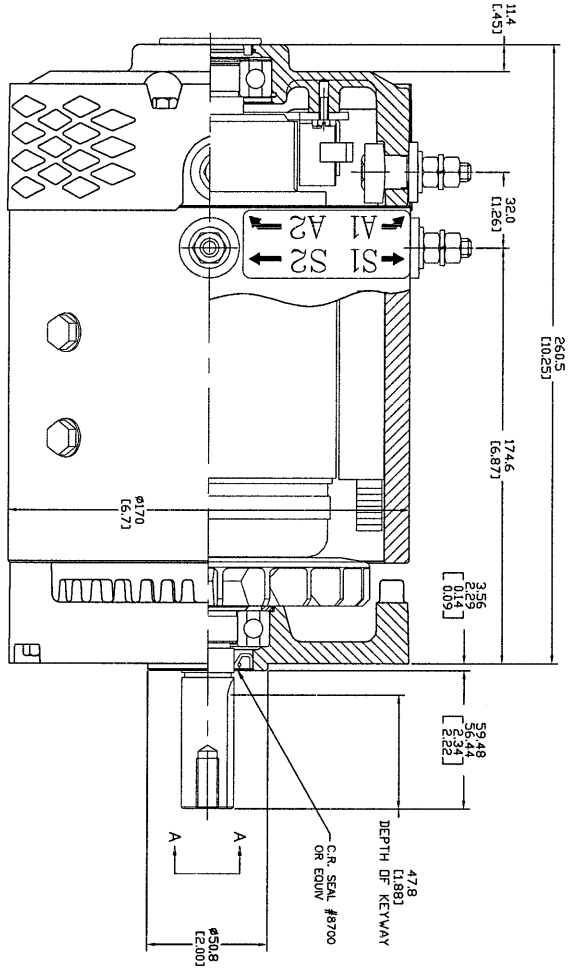


Advanced D.C. Motors, Inc.
 14923 1/2 20th St., Bldg. 100
 Los Angeles, California 90044
 (213) 744-1100

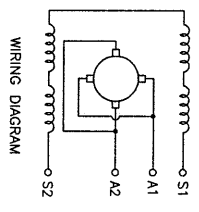


* NAME LABEL STAMPED WITH CUSTOMER PART No.,
 ADVANCED D.C. MOTORS PART No. A00-4009 AND 36 VOLT
 IN RATING BOX
 * "2300 RPM 4.15 HP CONT" STAMPED ON NAME LABEL
 * CODE DATE STAMPED ON FRAME NEAR NAME LABEL



3/8-16 UNC-2B x 15.7/.62 DP MIN THREAD
 MIN WITH A 12.7/.50 DIA. x 120°
 C/SINK 4-HOLES EQUALLY SPACED ON A
 149.23±.020/5.875±.008 DIA B.C.

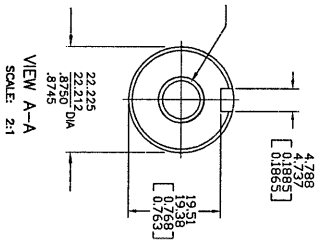
OUTLINE DIMENSIONS
 ARE NOMINAL UNLESS
 TOLERANCES ARE SPECIFIED



ROTATION - REVERSIBLE

C.W.I.D.E. S1 TO ONE BATTERY TERMINAL
 CONNECT S2 & A1 TO OTHER BATTERY TERMINAL
 C.C.W.I.D.E. S1 TO ONE BATTERY TERMINAL
 CONNECT S2 & A2 TO OTHER BATTERY TERMINAL

3/8-16 UNC-2B x 21 ±.8/.63 ±.03 DP THD
 WITH A .8/.03 x 45° CHAMFER



- * TEST TO CURVE: C-2
- * CLASS "H" INSULATION
- * FINISH: FRAME - BLACK PAINT
 END HEADS - NATURAL ALUMINUM
- * HEADBAND MATERIAL: ALUMINUM
- * VENTILATED MOTOR WITH FAN
- * MOTOR WEIGHT: 21 KG / 46 LBS
- * THIS MOTOR IS A REPLACEMENT FOR A89-4001

36 VOLT

Zone/Rev	Wsg	By	Date	Material	Ref
				A89-4001	
This print is the property of Advanced D.C. Motors, Inc. No reproduction or other use is permitted without the express written consent of Advanced D.C. Motors, Inc.					
				WILDMETER / INCHES	
				BY MILLIMETERS	
				PRODUCTION	
				HARD ANGLE	
				Part No	
				A00-4009	
				Scale	
				FULL	
				Drawn	
				Date	
				01-26-01	
				9491-1	

3/5/03



Advanced D.C. Motors, Inc.
Syracuse, N.Y. U.S.A.

A00-4009 Traction Motor Cold Performance Testing
36 Volts Constant

