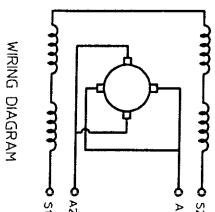
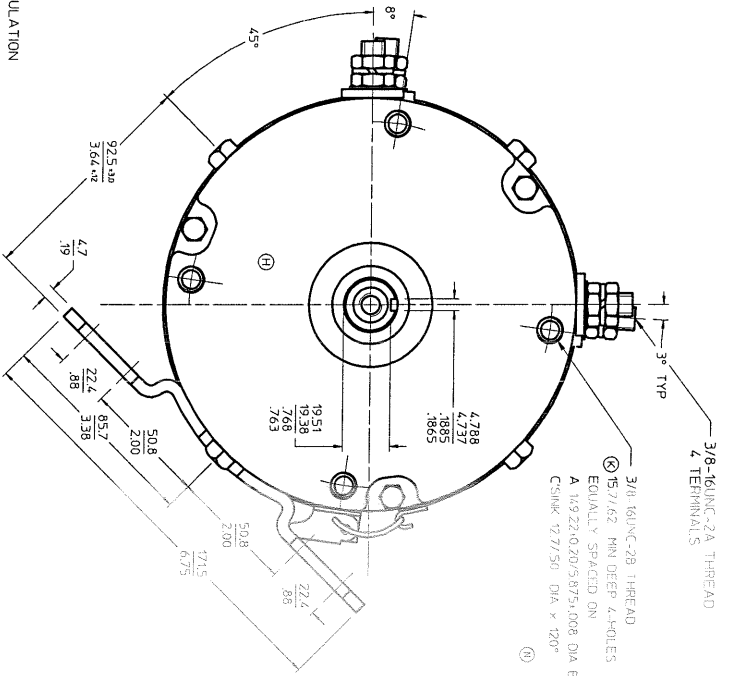
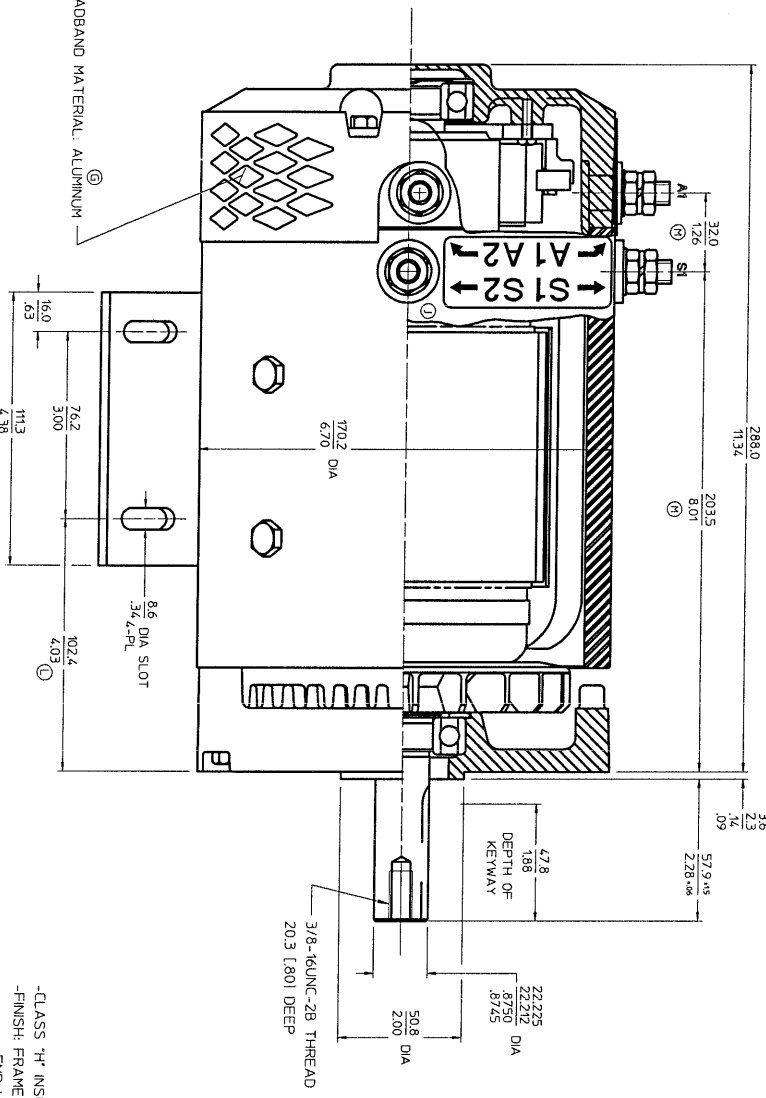
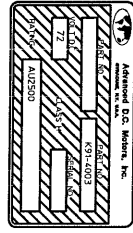


Note: Advanced D.C. Motors, Inc. does not warrant the accuracy of the information on this drawing. It is issued in confidence for engineering information only and may not be used in whole or in part, to manufacture anything, or to design anything, without the written consent of Advanced D.C. Motors, Inc.

NAME LABEL STAMPED WITH CUSTOMER PART NO., ADVANCED PART NO. AND 72 VOLT - CODE DATE STAMPED ON FRAME NEAR NAME LABEL



HEADBAND MATERIAL: ALUMINUM
 ROTATION - REVERSIBLE
 C.W.D.E.
 CONNECT S-1 TO ONE BATTERY TERMINAL
 CONNECT S-2 TO A-2
 CONNECT A-1 TO OTHER BATTERY TERMINAL
 C.C.W.D.E.
 CONNECT S-1 TO ONE BATTERY TERMINAL
 CONNECT S-2 TO A-1
 CONNECT A-2 TO OTHER BATTERY TERMINAL

-CLASS "H" INSULATION
 -FINISH: FRAME-BLACK PAINT
 END HEADS-NATURAL ALUMINUM
 -TEST TO CURVE: C-18
 -VENTILATED MOTOR WITH FAN

Zone	Rev	Issue	By	Date
N		CORRECT HOLE SIZE PER 4501 SHR	MS/DZ	
M		REVISED 8/15/80 PER 4501 SHR	MS/DZ	
L		WAS 05.4/6.5 PER 3281	EF/C	07-22-79
K		WAS 07.5/7.69 PER 3184	PJB	04-08-79
J		REMOVED TO CONFORM TO DETAIL PER 4501	MS/DZ	04-03-79
H		WAS 05.4/6.5 PER 3281	MS/DZ	10-06-78
G		WAS 05.4/6.5 PER 3281	MS/DZ	02-06-78
A-3		REVISION IN CAD LAST REV. E	TR/C	08-13-77

No part is the property of Advanced D.C. Motors, Inc. and is loaned to your company for your use only. All rights reserved.

Advanced D.C. Motors, Inc.
 Traction Motor
 Scale: 1:1
 Date: 03-13-91
 Part No: K91-4003

OUTLINE DIMENSIONS ARE NOMINAL UNLESS TOLERANCES ARE SPECIFIED

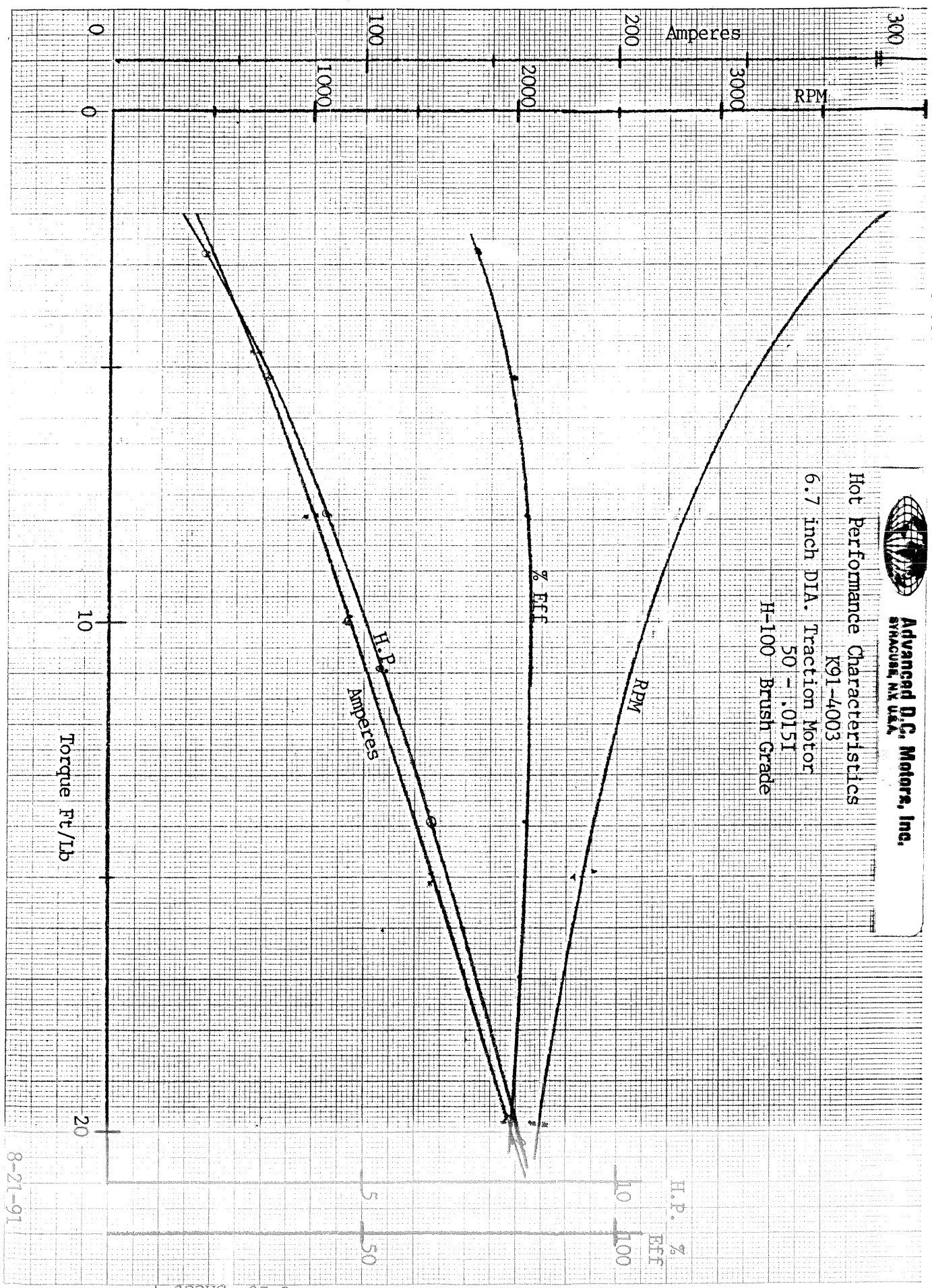
C-18 Sheet 4



Advanced D.C. Motors, Inc.
SYRACUSE, N.Y. U.S.A.

Hot Performance Characteristics
K91-4003

6.7 inch DIA. Traction Motor
50 - .0151
H-100 Brush Grade



8-21-91

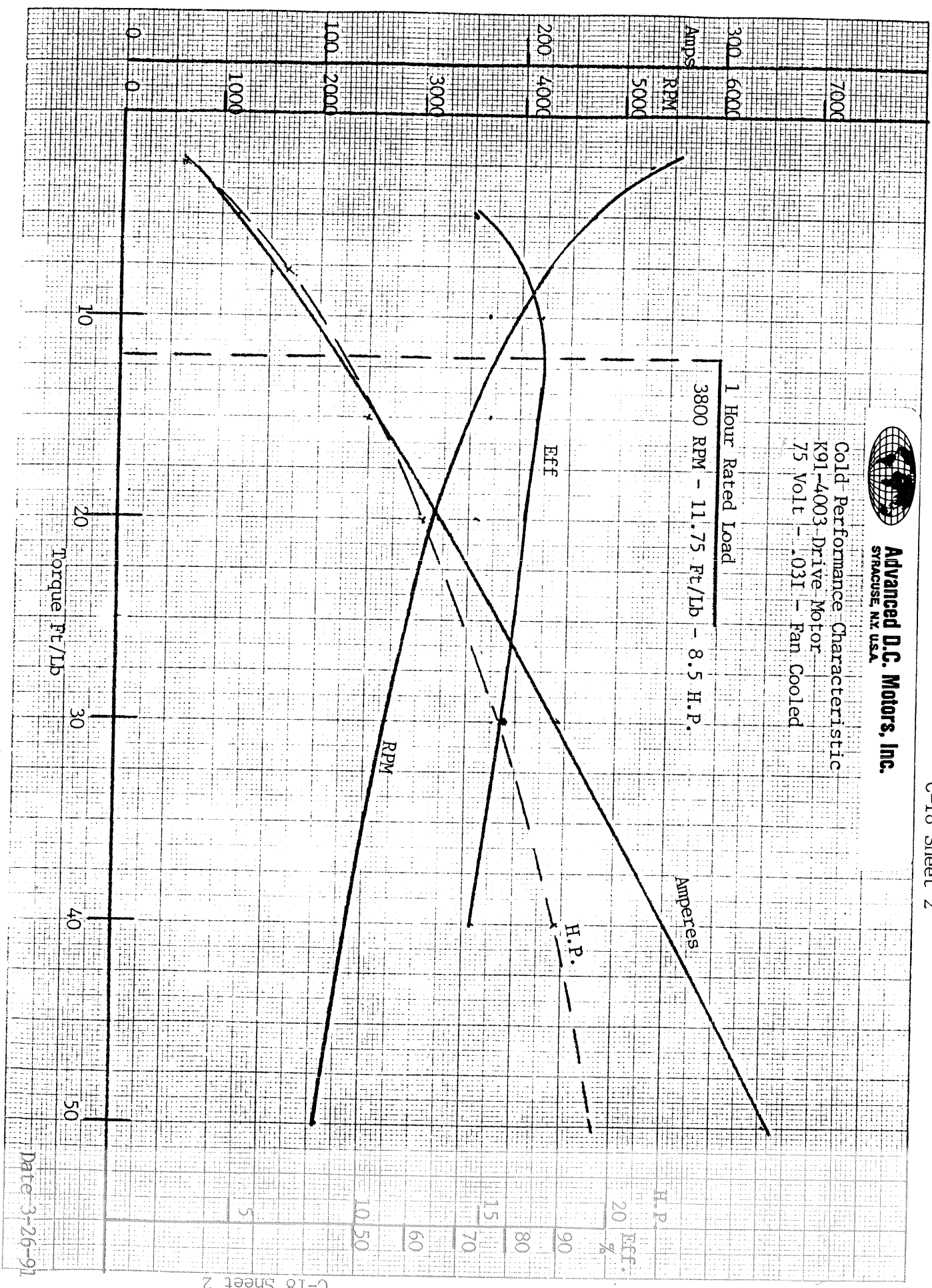


Advanced D.C. Motors, Inc.
SYRACUSE, N.Y. USA

Cold Performance Characteristic
K91-4003-Drive Motor
75 Volt - .031 - Fan Cooled

1 Hour Rated Load

3800 RPM - 11.75 Ft/Lb - 8.5 H.P.



C-18 Sheet 2

C-18 Sheet 2

Date 3-26-91